

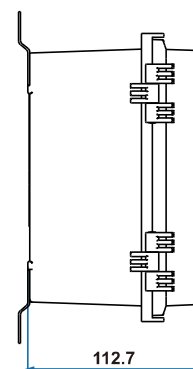
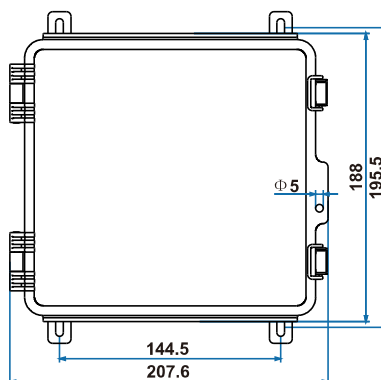


PV Waterproof Box



Protection	
Protection class	IP 66
Insulation	Class II
Material	polycarbonate/ABS
Shock resistance	IK10
Protection against chemicals and weather conditions	Water, saline solutions, acids, basics, mineral oils, UV rays
Operating temperature	-25°C~+100°C
Performance	
Nominal insulation voltage	1000V AC~1500V DC
Flexibility WxHxD, external dimensions	208x188x113mm

Unit:mm



BX191811