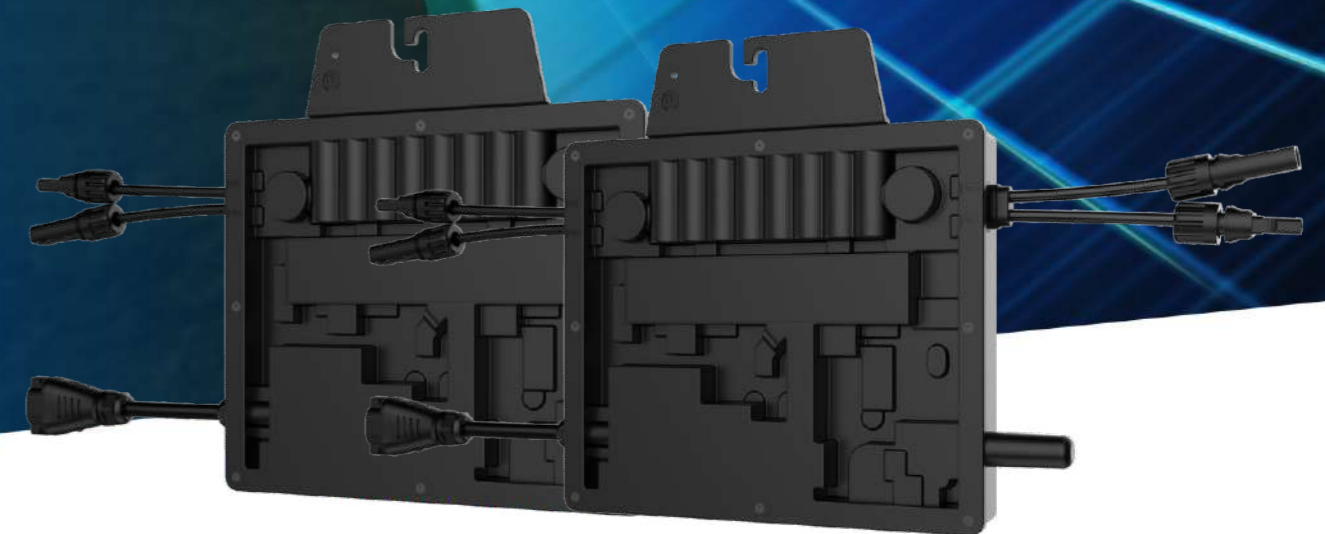




pvb.com

BENY Microinverter

BYM1000



ZHEJIANG BENYI NEW ENERGY CO.,LTD.

CHANGJIANG RD, WENZHOU DAQIAO INDUSTRY PARK, BEIBAIXIANG TOWN, YUEQING, WENZHOU CITY, ZHEJIANG PROVINCE, CHINA
TEL: +86-577-5717 7008 FAX: +86-577-5717 7007

✉ info@beny.com

🌐 www.beny.com

♻️ This catalogue has been printed on ecological paper.

© Zhejiang Benyi New Energy Co., Ltd. All rights reserved.

⚠️ If the models and specifications in this product catalogue change due to product updates, we will not provide prior notification.

Importer:xxx
Address:xxx



VERSION: 20240319-01



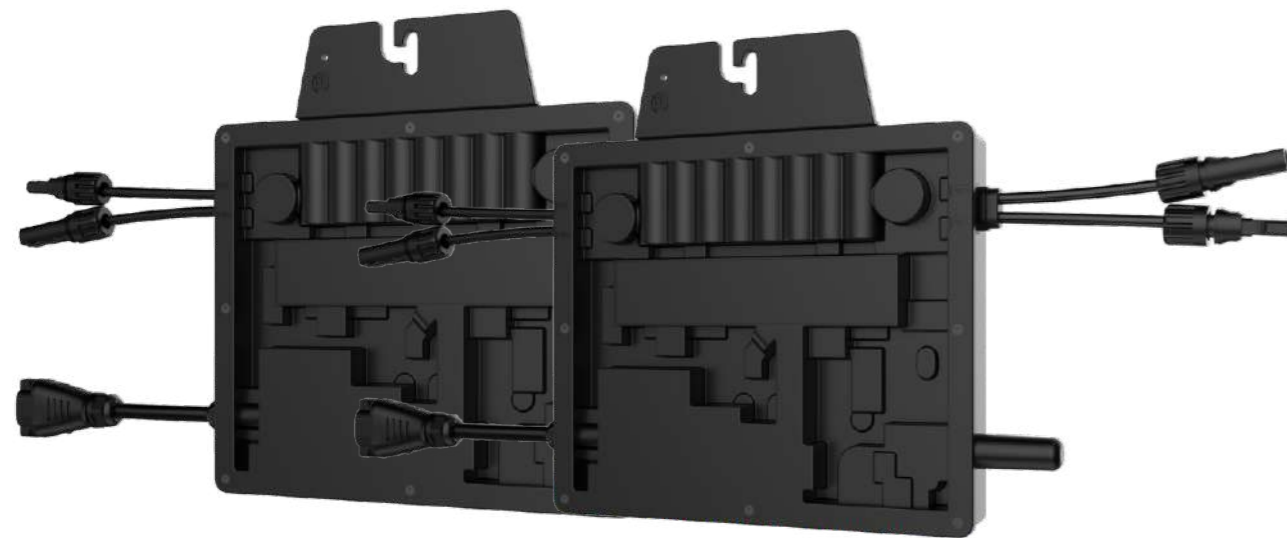
Type Approved
Safety
Regular Production
Surveillance

www.tuv.com
ID 1111279296

Datasheet

www.beny.com

ZBENY



Description


With the maximum output power of 1000VA, BENY BYM1000 microinverter connect to 2 modules and enable module-level maintenance and management of the PV station by monitoring power generation of each module. Module-level data can be uploaded to the monitoring platform via BENY data transfer units through PLCC/Wi-Fi.


- 


Maximum output power up to 1000VA channel, adapted to 60~75-cell or 120~150-half-cell PV modules
- 


Static MPPT efficiency 99.80%
- 


High reliability, IP67(NEMA 6) enclosure

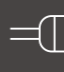
- 


SAFETY
Low DC voltage and invisible.
- 


QUALITY
Components selected from world-class brands.
- 

OPTIMIZATION
Individual MPPT for each module
- 

PARALLEL INPUT
18A continuous input
- 

FLEXIBILITY
Adapts to any system size and optimizes space.
- 

PLUG & PLAY
AC BUS design no SPOF
- 

25 YEARS
30-year design life up to 25-year warranty
- 

SMART
Module-level online smart monitoring.

Input Data (DC)

Model	BYM1000
Recommended input power(STC)	(450-750)W*2,60~75-cell/120~150 half-cell (350~550)W*4,66~75-cel1/132~150 half-cell
MPPT voltage range	24V~50V
Operating voltage range	16V~60V
Maximum continuous output current	60V
Max. short circuit current	20A*2
Max. input current	18A*2

Output Data(AC)

Rated output power	1000W
Maximum output power	1000VA (Vac>230,Vmp>34)
Rated voltage(range)	230V(176V~265V)
Rated frequency(range)	50Hz/60Hz(46.5Hz~62Hz)
Maximum continuous output current	4.55A
Maximum harmonic distortion	<4%
Power factor	>0.99 (Default)
Maximum connection number in one string(PLCC)	6 units (30A circuit breaker, 10AWG cable)
Maximum connection number in one string(Wi-Fi)	8 units (40A circuit breaker, 10AWG cable)

Efficiency

Peak efficiency	96.5%
MPPT efficiency	>99.8%
Night power consumption	<100mW

Other Parameters

Communication method	PLCC/Wi-Fi (Optional)
Safety protection	Class I
Enclosure rating	IP67
Operating temperature	-40°C to +70°C
Storage temperature	-40°C to +85°C
Relative humidity	0-98%
Transformer design	High frequency transformer, Electrical isolated
Overvoltage class	OVC II (AC), OVC I (PV)
Warranty period	10/25 years (Optional)
Dimensions(L*W*H mm)	
Weight(kg)	
Safety regulations	IEC/EN61000-6,CISPR11+A1+A2,IEC/EN 62109-1/2. EN 50549-1:2019 VDE-AR-N 4105:2018/DIN VDE 0124:2020.AS 4777.2:2020.INMETRO. UTE C15- 712-1/DIN VDE 0126/VFR 2019,G98,CEI0-21:2020, NC RFG.NTS DAKKS

Monitoring Device

Communication with BENY microinverters through PLCC/Wi-Fi enables users to manage the systems in a smart digital way.

