



IEC 60269-6  
IEC 60269-1

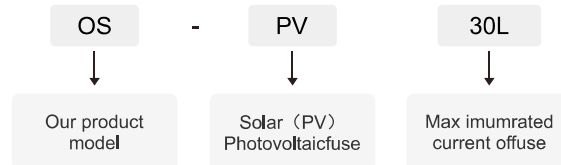
**Technical Parameter:**

- Technical data: 130.3x19.5x68.4 mm
- Rated voltage: 1000V/1500V a.c./d.c. (30 A)
- Rated current: ≤32A
- Breaking capacity: 20 KA
- Class of operation: GPV
- Protection level: IP20
- Storage & operating temperature range
- Matching fuselink: OSPV-30L(10x85MM)

### Product description

**ZBENY** This fuse type is mainly used for breaking in case of possible photovoltaic series of solar energy -collecting plates in solar energy photovoltaic header boxes and circuit overload and short-circuit current caused by current feedback of inverters ,thus protecting the entire photovoltaic energy-collecting plates. Also in=t can be used in any other DC circuit protection of electric elements.

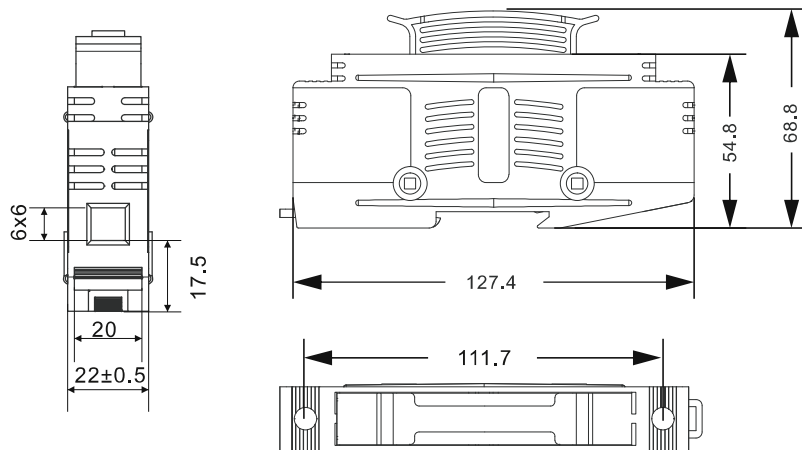
### Part Numbering System



### Parameter

OSPV-30L series 10x85mm Photovoltaic fuse holder	
MODEL/SIZE(MM)	OSPV-30L/130.3x19.5x68.4
Rated Voltage(V)	1000V/1500Va.c./d.c.
Matched with fuse body size	OSPV-30L(10x85MM)

### Dimensions -mm:



### Attention:

storage environment  
The storage temperature: -25°C~+80°C  
The storage humidity: ≤90%

No harmful gases and flammable and explosive materials and corrosive items in the warehouse, and should not have received strong mechanical vibration, shock and strong magnetic field effect.