

## BR-32-1500

### Specification For PV DC Fuse

- 1 Type
- 2 Rated Current and Rated Voltage
- 3 Electrical Symbols
- 4 Brand
- 5 Precautions

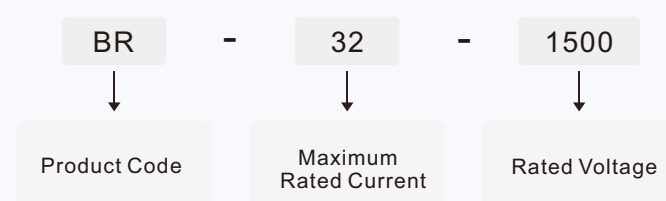
## Application

**ZBENY** The design and manufacturing of PV DC Fuse BR-32-1500 comply with standards GB/T 14048.3 and IEC 60947-3, rated DC voltage of 1500V, maximum rated The current is 32A. It is mainly suitable for photovoltaic combiner boxes, inverters, etc. Its main function is overcurrent protection and effective disconnection of current.

## Appearance Introduction



## Model Introduction



- Applied in the field of photovoltaics
- The maximum rated limit short-circuit current is 15kA, which can effectively protect the circuit
- The size of the assembled melt core is 10 × 65mm
- Compliant with standards: GB/T 14048.3 IEC 60947-3

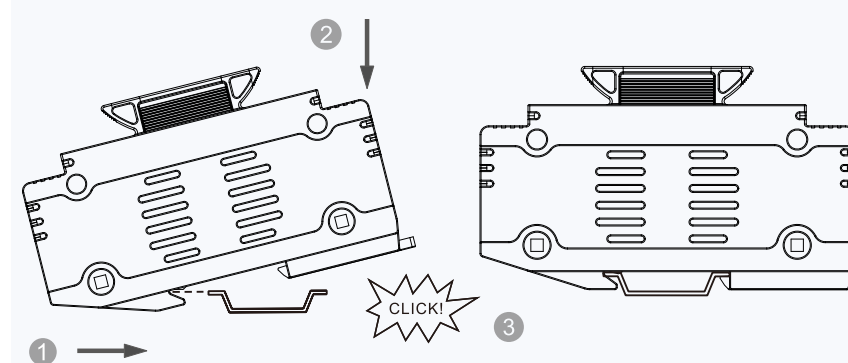
## parameter

BR-32-1500 Photovoltaic DC Fuse		
Pole		1P
Comply		GB/T 14048.3 IEC 60947-3
Electrical Characteristics		
Rated Operational Voltage	Ue	DC1500V
Rated Current	In	1A~32A
Rated Conditional Short-circuit Current		15KA
Rated impulse withstand voltage		8KV
Max Power Dissipation		8W
Connection and Installation		
Wire		2.5mm <sup>2</sup> ~6mm <sup>2</sup>
Terminal Screws		M5
Torque	N·m	2.0
Degree Of Protection		IP20
Installation Environment		
Fuse Size		10×65
Operating Temperature Range	TU	-30 ~+40
For Mounting On		TH35-7.5/DIN35
Pollution Derrge		3
Relative Humidity		+20 ≤95%,+40 ≤50%
Weight		0.07kg

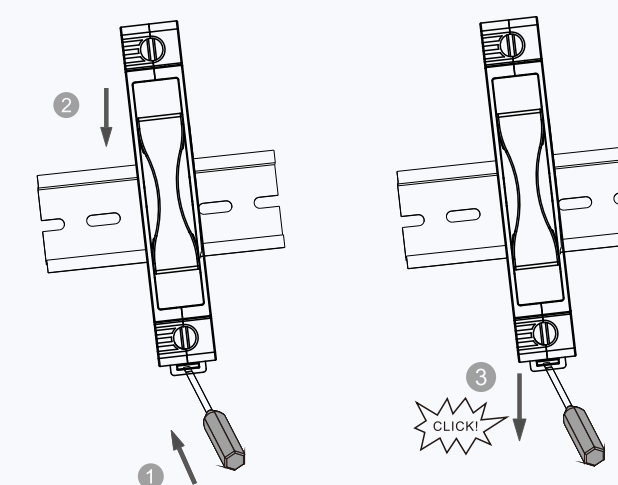


## Installation and Disassembly

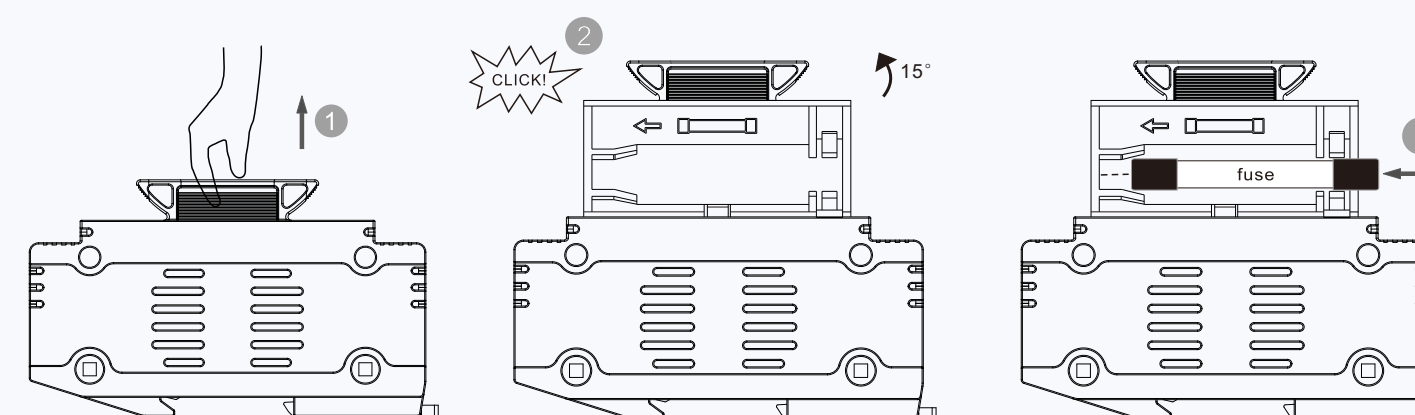
install



disassemble



## Replacement Fuse



## Dimensions (mm)

